

NAME OF THE LAND OWNER :-
 SRI ARUN KUMAR JAISWAL.
 S/O. LATE BIRJU PRASAD JAISWAL.
 AT GANDHI NAGAR, WARD NO. 43 (SMC),
 P.O. SEVOKE ROAD, P.S. BHAKTINAGAR,
 DIST. JALPAIGURI.

LAND SCHEDULE. :-

MOUZA. :- DABGRAM.
 J. L. NO. :- 02
 SHEET NO. :- R.S. 4 & L.R. 4
 P.S. :- BHAKTINAGAR.
 DIST. :- JALPAIGURI.

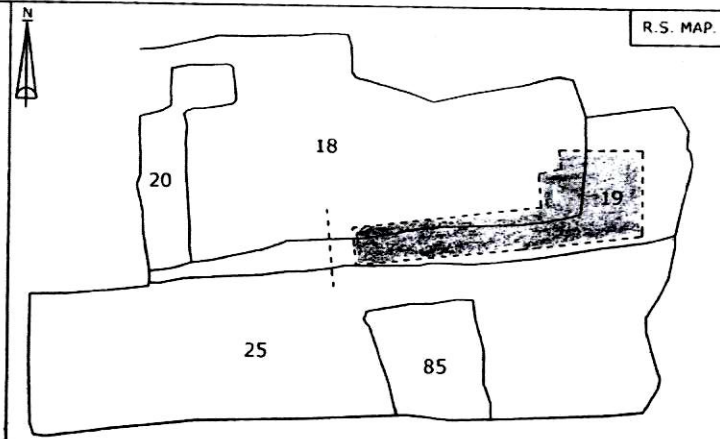
LAND AREA.:- 1.20 ACRES.

AREA STATEMENT. :-

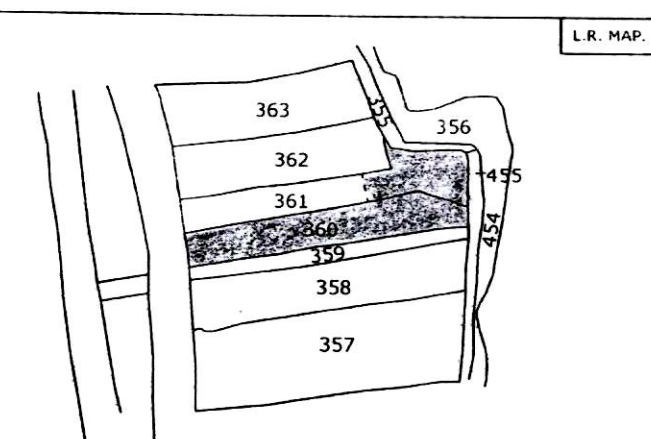
PLOT NO.	AREA IN
R.S.	ACRE
18	0.30
19	0.80
AREA.:-	1.20

AREA STATEMENT. :-

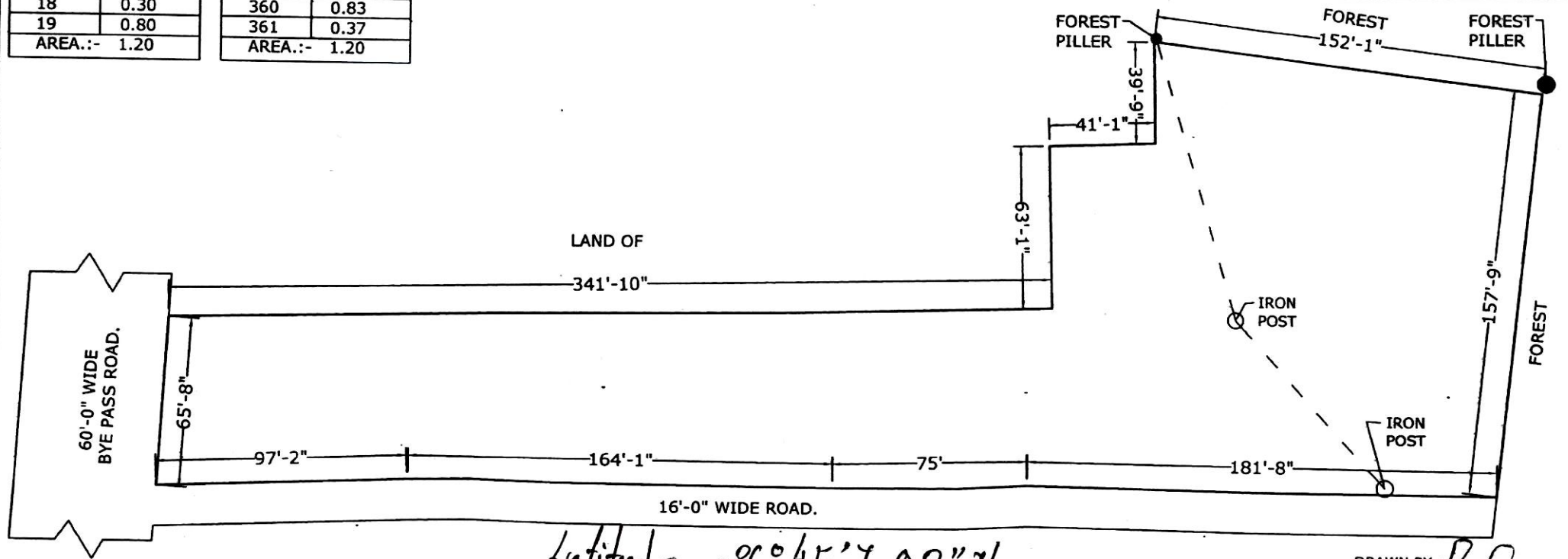
PLOT NO.	AREA IN
L.R.	ACRE
360	0.83
361	0.37
AREA.:-	1.20



PART TRACE MAP OF MOUZA. DABGRAM, J. L. NO. 02, SHEET NO. 8, P.S. BHAKTINAGAR, DIST. JALPAIGURI, SCALE.:- 16"= 1 MILE, PROPOSED PLOT SHOWN.



PART TRACE MAP OF MOUZA. DABGRAM, J. L. NO. 02, SHEET NO. 8, P.S. BHAKTINAGAR, DIST. JALPAIGURI, SCALE.:- 16"= 1 MILE, PROPOSED PLOT SHOWN.



Latitude $26^{\circ}45'7.92''N$
 Longitude $88^{\circ}27'15.97''E$

SITE PLAN.
 SCALE.:- 1"= 55'-0"
 PROPOSED PLOT SHOWN.

DRAWN BY: *[Signature]*
 Reg. No. 175
 Sub. party, Jalpaiguri